

XF2W

FOR FPC/FFC

Rotary Backlock Connector (0.5-mm Pitch, Dual Contact)

Rotary Backlock Mechanism with 0.5-mm Pitch and Low Profile of 1.1 mm

- Two models available: Low profile connector with a depth of 3.5 mm and easy-operation connector with long slider.
- Dual contact reduces the number of parts.
- Wide molding wall on the rear bottom of the connector allows greater freedom in board design.
- Gold plated with an applicable FPC/FFC thickness of 0.3 mm.
- Halogen Free (See note.)

Note: OMRON uses the following standard to determine halogen-free construction: 900 ppm max. for Br, 900 ppm max. for Cl, and 1,500 ppm max. for Br+Cl.

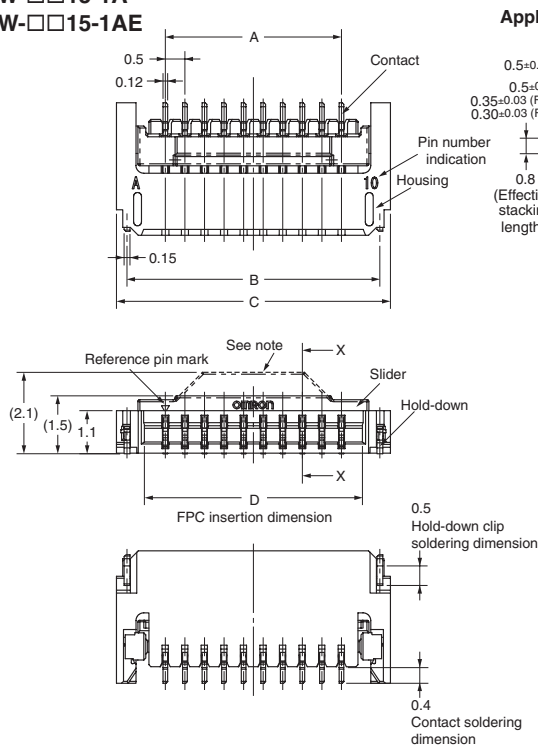
RoHS Compliant

■ Ratings and Specifications

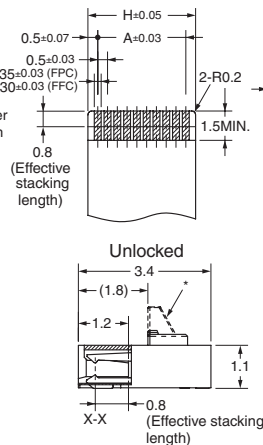
Rated current	0.5A AC/DC
Rated voltage	50V AC/DC
Contact resistance	60mΩ max. (at 20 mV DC max., 100 mA max.)
Insulation resistance	100MΩ min. (at 250V DC)
Withstand voltage	250V AC for 1 min. (leakage current: 1 mA max.)
Insertion tolerance	20 times
Ambient operating temperature	-30 to 85°C (with no icing or condensation)

■ Dimensions

XF2W-□□15-1A
XF2W-□□15-1AE



Applicable FPC/FFC Dimensions



PCB Mating Dimensions (TOP VIEW)

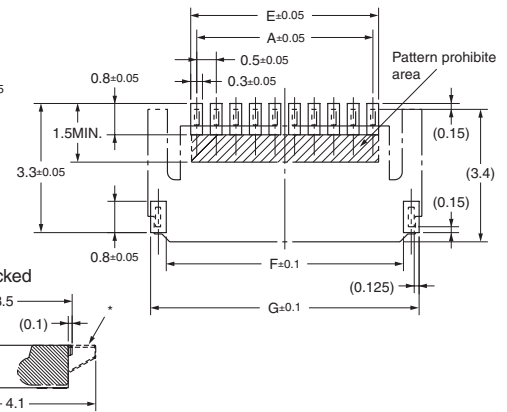


Table of Dimensions

Pins (See *2.)	Model (See *1.)	A	B	C	D	E	F	G	H
5	XF2W-0515-1A	2.0	4.0	4.5	3.1	2.3	3.6	4.4	3.0
7	XF2W-0715-1A	3.0	5.0	5.5	4.1	3.3	4.6	5.4	4.0
8	XF2W-0815-1A	3.5	5.5	6.0	4.6	3.8	5.1	5.9	4.5
9	XF2W-0915-1A	4.0	6.0	6.5	5.1	4.3	5.6	6.4	5.0
16	XF2W-1615-1A	7.5	9.5	10.0	8.6	7.8	9.1	9.9	8.5
18	XF2W-1815-1A	8.5	10.5	11.0	9.6	8.8	10.1	10.9	9.5
20	XF2W-2015-1A	9.5	11.5	12.0	10.6	9.8	11.1	11.9	10.5
24	XF2W-2415-1A	11.5	13.5	14.0	12.6	11.8	13.1	13.9	12.5
45	XF2W-4515-1AE	22.0	24.0	24.5	23.1	22.3	23.6	24.4	23.0
50	XF2W-5015-1AE	24.5	26.5	27.0	25.6	24.8	26.1	26.9	25.5
55	XF2W-5515-1AE	27.0	29.0	29.5	28.1	27.3	28.6	29.4	28.0
60	XF2W-6015-1AE	29.5	31.5	32.0	30.6	29.8	31.1	31.9	30.5
64	XF2W-6415-1AE	31.5	33.5	34.0	32.6	31.8	33.1	33.9	32.5

■ Ordering Information (Please consult your trading company for the delivery date.)

Pins (See *2.)	Model (See *1.)	Pins (See *2.)	Model (See *1.)	Quantity per reel (unit) (See *3.)
5	XF2W-0515-1A	24	XF2W-2415-1A	2,000
7	XF2W-0715-1A	45	XF2W-4515-1AE	
8	XF2W-0815-1A	50	XF2W-5015-1AE	
9	XF2W-0915-1A	55	XF2W-5515-1AE	
16	XF2W-1615-1A	60	XF2W-6015-1AE	
18	XF2W-1815-1A	64	XF2W-6415-1AE	
20	XF2W-2015-1A	—	—	

*1. The end of the model number indicates the slider specification.

None: Standard type E: Easy lock type

*2. Please consult your OMRON representative for available pin count.

*3. Please order by integer multiple of the quantity per reel.