

XF2K

FOR FPC

Rotary Backlock Connector (0.4-mm Pitch, Dual Contact)

Rotary Backlock Mechanism with 0.4-mm Pitch and Low Profile of 0.9 mm

- Long slider makes it easier to lock and unlock the connector.
- Dual contact reduces the number of parts.
- Gold plated with an applicable FPC thickness of 0.2 mm.
- Halogen Free (See note.)

Note: OMRON uses the following standard to determine halogen-free construction:
900 ppm max. for Br, 900 ppm max. for Cl, and 1,500 ppm max. for Br+Cl.

RoHS Compliant

■ Ratings and Specifications

Rated current	0.4A AC/DC
Rated voltage	40V AC/DC
Contact resistance	60mΩ max. (at 20 mV DC max., 100 mA max.)
Insulation resistance	100MΩ min. (at 250V DC)
Withstand voltage	250V AC for 1 min. (leakage current: 1 mA max.)
Insertion tolerance	20 times
Ambient operating temperature	-30 to 85°C (with no icing or condensation)



■ Materials and Finish

Housing	LCP resin (UL94V-0)/natural
Slider	LCP resin (UL94V-0)/brown
Contacts	Spring copper alloy/nickel substrate (2μm) Gold-plated contacts (0.15μm)
Hold-down	Spring copper alloy/fused-tin plating (2μm)

■ Dimensions

XF2K-□□15-3AE

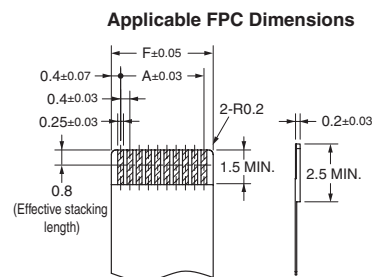
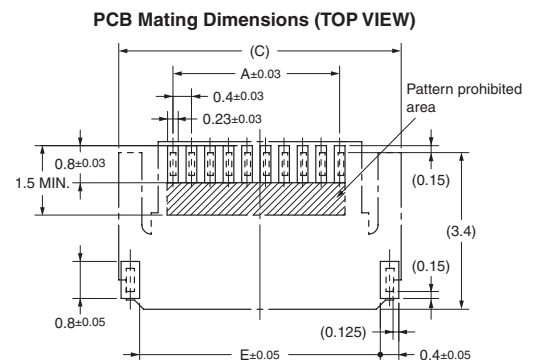
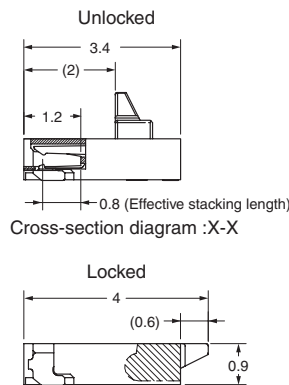
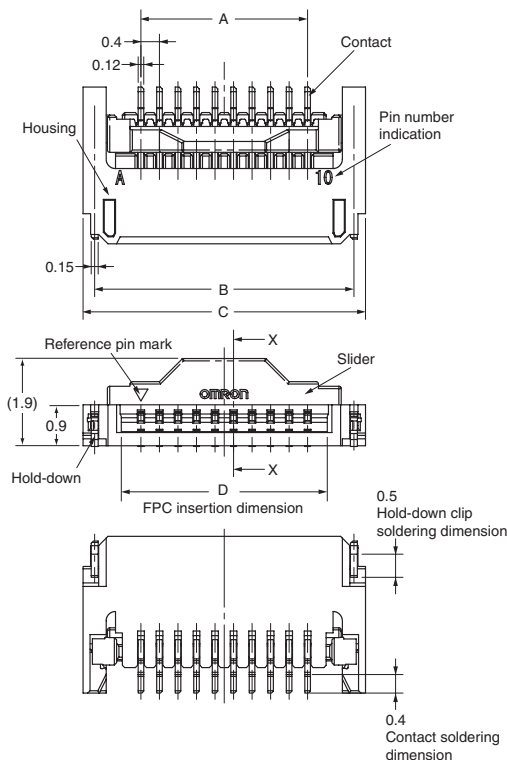


Table of Dimensions

Pins (See *1.)	Model	A	B	C	D	E	F
57	XF2K-5715-3AE	22.4	24.4	24.9	23.3	24.0	23.2

■ Ordering Information (Please consult your trading company for the delivery date.)

Pins (See *1.)	Model	Quantity per reel (unit) (See *2.)
57	XF2K-5715-3AE	2,000

*1. Please consult your OMRON representative for available pin count.

*2. Please order by integer multiple of the quantity per reel.