

## Dual-pushbutton switch

## A8N

### Dual-Pushbutton Switch for High Capacity Switching

- Miniature size with High current 16A switching.
- Easy to mount by snap fitting.
- Dust & waterproof construction with panel seal (Equivalent to IP67 (IEC-60529)).
- UL, cUL and TV-8 standard approved. Conforms to EN standards.



RoHS Compliant

Caution  
Refer to Precautions

### Ordering Information

#### List of Models

Contact Form	SPST	DPST	Quantity per box
Color of button	White/Red	White/Red	
Color of cases	Black	Black	
Marking on caps			100
	A8NS-3162	A8ND-3162	

### Specifications

#### Ratings

Rated load	Inductive		
	Non-inductive Resistive load	Inductive load	Inductive motor load
125 VAC	16A	16A	10A
250 VAC	16A	16A	10A

- Note:**
1. The inductive load has a power factor of 0.7 minimum (AC).
  2. The motor load has an impulse current 6 times the normal current.
  3. The above ratings were tested under the following conditions:
    - (1) Ambient temperature: 20±2 °C
    - (2) Ambient humidity: 65±5 %RH
    - (3) Switching frequency: 7 times/min.

#### Approved Safety Standards

**UL (UL1054/CSA C22.2 No. 55)**

16A 125 VAC, 16A 250 VAC, TV-8

**DEMKO (EN61058-1)**

16A 125 VAC, 16A 250 VAC

**Note:** Quick connect terminals are not in compliance with IEC standards.

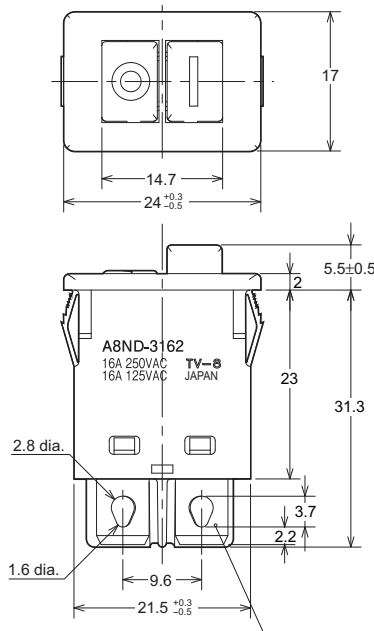
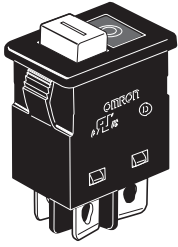
#### Characteristics

Permissible operating frequency	Mechanical: 20 Operations / min max. Electrical: 7 Operations / min max.
Insulation resistance	100 MΩ min. (500 VDC)
Dielectric strength	2,000 VAC 50/60Hz, for 1min between terminals of the same polarity 4,000 VAC 50/60Hz, for 1min between terminal and case ground.
Vibration resistance	Malfunction: 10 to 55 Hz, 1.5-mm double amplitude
Shock resistance	Malfunction: 1,000 m/s <sup>2</sup> max.
Durability	Mechanical: 50,000 operations min. Electrical: 10,000 operations min.
Ambient operating temperature	- 25 to +55 °C (at ambient humidity of 60 % max.) (with no icing or condensation)
Ambient operating humidity	25 to 85 %RH (at +15 to 35 °C)
Weight	9.6 g (SPST), 11.1 g (DPST)

# Dimensions

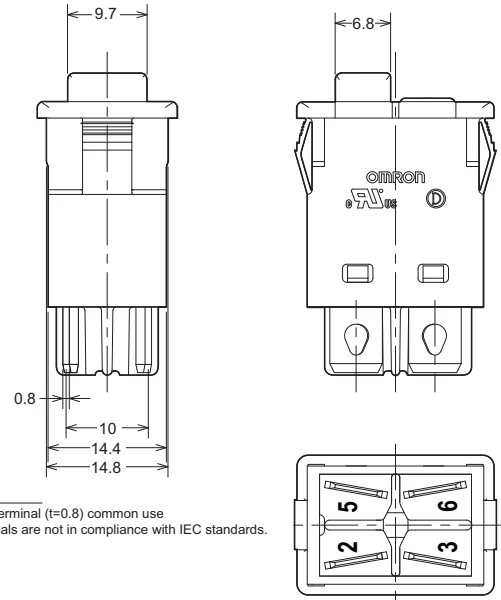
**A8NS-3162**  
**A8ND-3162**

- Note:** 1. All units are in millimeters unless otherwise indicated.  
 2. The following illustrations and drawings are for 2 poles (DPST) models, 1 pole (SPST) models have single side terminals.  
 3. Unless otherwise specified, a tolerance of  $\pm 0.3$  mm applies to all dimensions.



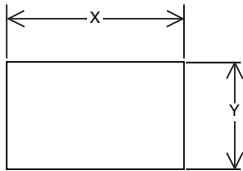
## Operating Characteristics

No. of poles	1 (SPST)	2 (DPST)
Operating force (OF) max.	9 N {918 gf}	22 N {2,243 gf}

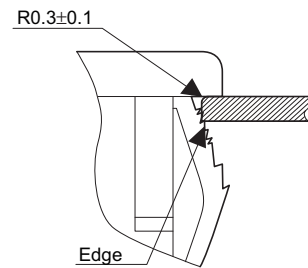


Solder Terminal  
 #250 Quick connect terminal (t=0.8) common use  
 Quick-connect Terminals are not in compliance with IEC standards.

## Panel Cutout



Panel thickness (mm)	X (mm)	Y (mm)
1.0 to 1.9	22.3 <sup>0</sup> <sub>-0.1</sub>	14.8 <sup>+0.1</sup> <sub>0</sub>
2.0 to 2.8	23.2 <sup>+0.1</sup> <sub>0</sub>	



Be sure that play R or above-mentioned R is the operation side.

## Precautions

Be sure to read the Safety precautions common to all Rocker Switches for correct use.

ALL DIMENSIONS SHOWN ARE IN MILLIMETERS.  
 To convert millimeters into inches, multiply by 0.03937. To convert grams into ounces, multiply by 0.03527.