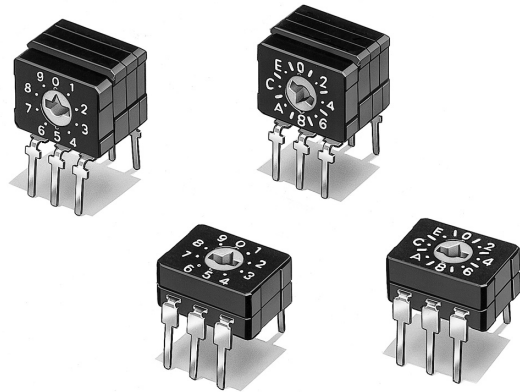


Internally Sealed DIL-IC Type Rotary DIP Switch

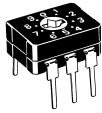

- A precise rotary cam and contact driving mechanism achieve compactness for high-density mounting.
- Top/Side-actuated models available.
- Insert-molded terminals and an O-ring sealed rotor combine to form a sealed structure equivalent to IP64 (IEC-60529) to prevent flux penetration and provides high contact reliability even in dusty locations.
- Offset between terminal pins and side of case allows simple circuit inspection.



RoHS Compliant

Ordering Information

■List of Models

| Type (actuator color) | | Top actuated (Orange) | | Side actuated (Orange) | |
|----------------------------|-----------------|-----------------------|---|------------------------|---|
| No. of switching positions | Output code | Quantity per tube |  | Quantity per box |  |
| | | | | | |
| 10 | BCD Decimal | 55 | A6C-10R (N) | 100 | A6CV-10R |
| 16 | BCD Hexadecimal | | A6C-16R (N) | | A6CV-16R |

Note: Order in multiples of the package quantity.

Specifications

■Ratings/Characteristics

| | |
|-------------------------------|---|
| Rating | 0.1 A at 30 VDC, 10 μ A (minimum current) at 3.5 VDC |
| Ambient operating temperature | -20 to 70°C 60%RH max. (with no icing or condensation) |
| Ambient operating humidity | 35% to 95%RH (at 5 to 35°C) |
| Insulation resistance | 100 M Ω min. (at 250 VDC) |
| Contact resistance | 200 m Ω max. (initial value) |
| Dielectric strength | 250 VAC for 1 min between terminals |
| Vibration resistance | Malfunction: 10 to 55 Hz, 1.5-mm double amplitude |
| Shock resistance | Malfunction: 300 m/s ² min. |
| Durability | Electrical: 2,000 steps min. |
| Operating torque | 0.98 \times 10 ⁻² N·m {1 gf·m} max. |
| Weight | Top actuated type: approx. 0.4 g Side actuated type: approx. 0.8 g |

Output Codes

10-position Models

| Code | BCD Decimal code | | | |
|------|------------------|---|---|---|
| | 1 | 2 | 4 | 8 |
| 0 | | | | |
| 1 | ● | | | |
| 2 | | ● | | |
| 3 | ● | ● | | |
| 4 | | | ● | |
| 5 | ● | | ● | |
| 6 | | ● | ● | |
| 7 | ● | ● | ● | |
| 8 | | | | ● |
| 9 | ● | | | ● |

16-position Models

| Code | BCD Hexadecimal code | | | |
|------|----------------------|---|---|---|
| | 1 | 2 | 4 | 8 |
| 0 | | | | |
| 1 | ● | | | |
| 2 | | ● | | |
| 3 | ● | ● | | |
| 4 | | | ● | |
| 5 | ● | | ● | |
| 6 | | ● | ● | |
| 7 | ● | ● | ● | |
| 8 | | | | ● |
| 9 | ● | | | ● |
| A | | ● | | ● |
| B | ● | ● | | ● |
| C | | | ● | ● |
| D | ● | | ● | ● |
| E | | ● | ● | ● |
| F | ● | ● | ● | ● |

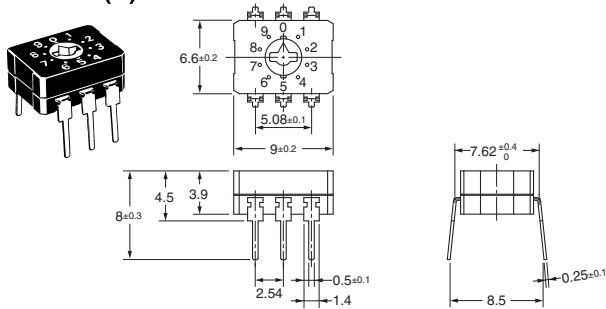
Note: "●" indicates that the internal switch is ON.

Dimensions

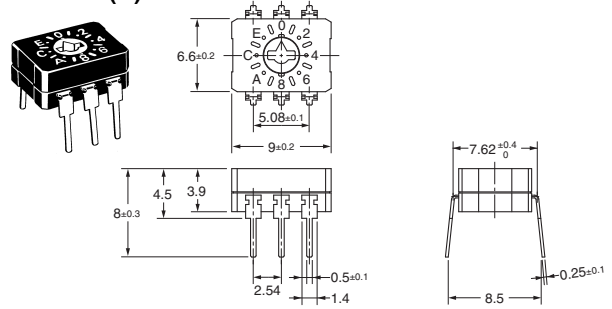
Note: 1. All units are in millimeters unless otherwise indicated.

2. Unless otherwise specified, a tolerance of ±0.4 mm applies to all dimensions.

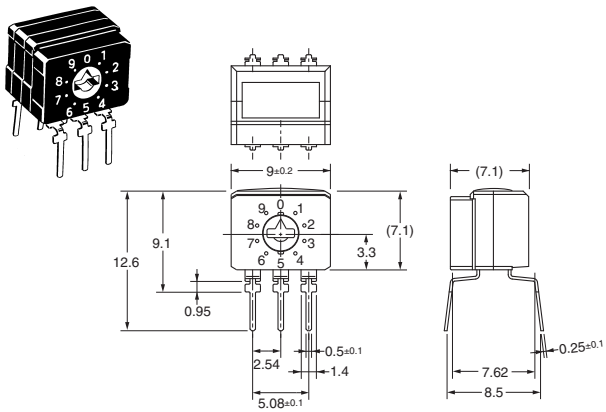
● Top Actuated, 10 Positions A6C-10R (N)



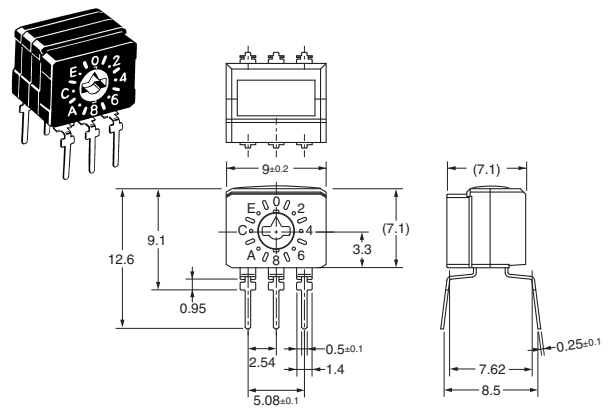
● Top Actuated, 16 Positions A6C-16R (N)



● Side Actuated, 10 Positions A6CV-10R



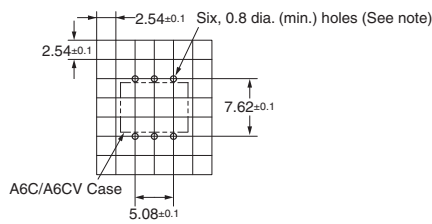
● Side Actuated, 16 Positions A6CV-16R



■PCB Dimensions

Mounting holes (top view)

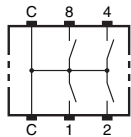
(Single-sided PCB, $t = 1.2$ to 1.6)



Note. 0.9 dia. for automatic insertion

Internal Connections (Top View)

■Contact Form



↑
Actuator side (A6CV)

Precautions

Be sure to read the Safety precautions common to all DIP Switches for correct use.

ALL DIMENSIONS SHOWN ARE IN MILLIMETERS.
To convert millimeters into inches, multiply by 0.03937. To convert grams into ounces, multiply by 0.03527.